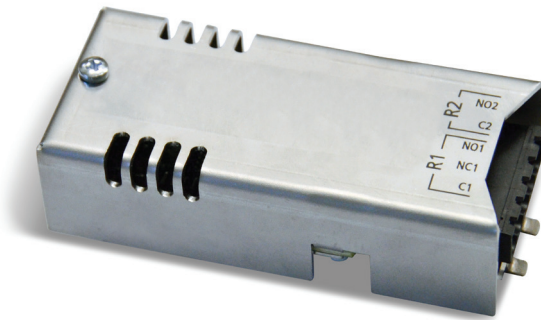


## PLI007 Compact I/O Module Tech-Note

PLI007 is a compact and low-cost I/O module. The plug-in is compatible with Series 500, 500G, 600, eX and eXware. The PLI007 relay outputs are an ideal extension to standard HMI products for applications with limited I/O requirements such as alarm notification.

- 2 Relay Outputs

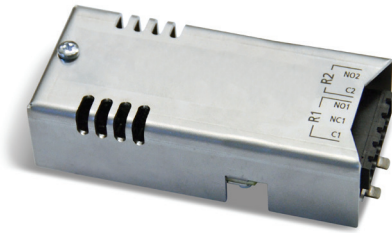


### Highlights

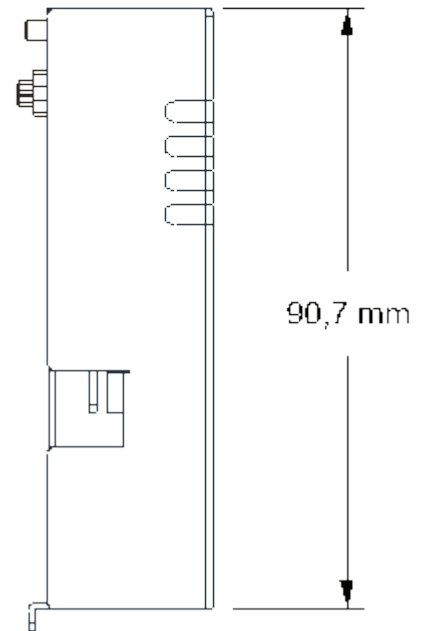
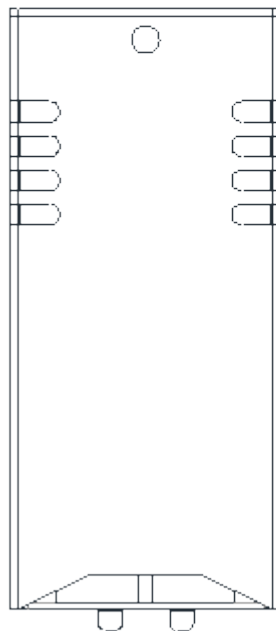
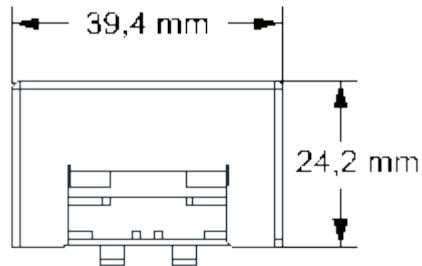
The plug-in is compatible with Series 500, 500G, 600, eX and eXware. The operation of PLI007 does not require the integrated PLC software running in the HMI.

- Plug&Play operation. The I/O module is automatically detected when plugged-in.
- Can be controlled directly by JMobile runtime without the need of activating the integrated PLC software.
- Compact and low-power consumption.
- No additional power supply.
- Easy wiring with removable 5.08 mm terminal block.

# Technical Data



Relay Outputs	
Number of channels	2
Type of channel	"1x 2 contacts (NO) 1x 3 contacts (NO/NC)"
Load	Resistive load
Rated load	2A at 30 Vrms
Rated carry current	1A
Max switching voltage	42.4 Vac (30 Vrms); 60Vdc
Max switching current	2A
Environmental Conditions	
Operating temperature	-20° to 60°C
Storage temperature	-20 to +70 °C
Operating and storage humidity	5 – 85 % relative humidity, non-condensing
Protection class	IP20
Approvals	
CE	Emission EN 61000-6-4, Immunity EN 61000-6-2 for installation in industrial environments Emission EN 61000-6-3, Immunity EN 61000-6-1 for installation in residential environments
RCM	Yes



## Ordering Information

Model	Part Number	Description
PLIO07	+PLIO07U001	Compact I/O Module. 2 Relay Outputs